

ACDE

Use With: OM--04760  
MR--04959

PUBLICATION NUMBER PL--04975--01  
February 17, 1999  
Rev. F 05/19/03



**PUMP MODEL**  
**16D2-VH4D S/G**  
**16D2-(VH4D S/G) PPO**

**MANUAL**  
**PART 2 of 3**

**PARTS**  
**LIST**  
**WITH**  
**PERFORMANCE CURVE**

**THE GORMAN-RUPP COMPANY • MANSFIELD, OHIO**

GORMAN-RUPP OF CANADA LIMITED • ST. THOMAS, ONTARIO, CANADA Printed in U.S.A.

©Copyright by the Gorman-Rupp Company



The engine exhaust from this product contains chemicals known to the State of California to cause cancer, birth defects or other reproductive harm.

## PERFORMANCE CURVE – SECTION A

### RECORDING MODEL AND SERIAL NUMBERS

Please record the pump model and serial number in the spaces provided below and in the separate Installation/Operation Manual accompanying your pump. Your Gorman-Rupp distributor needs this information when you require parts or service.

Pump Model: \_\_\_\_\_

Serial Number: \_\_\_\_\_

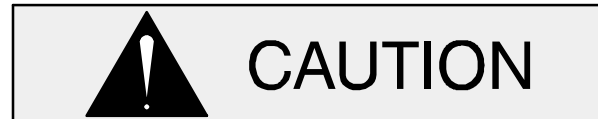
### WARRANTY INFORMATION

The pump warranty is provided as part of Gorman-Rupp's support program for customers who operate and maintain their equipment as described in this manual and other accompanying literature. Please note that should the equipment be abused or modified to change its performance beyond the original factory specifications, the warranty will become void and any claim will be denied.

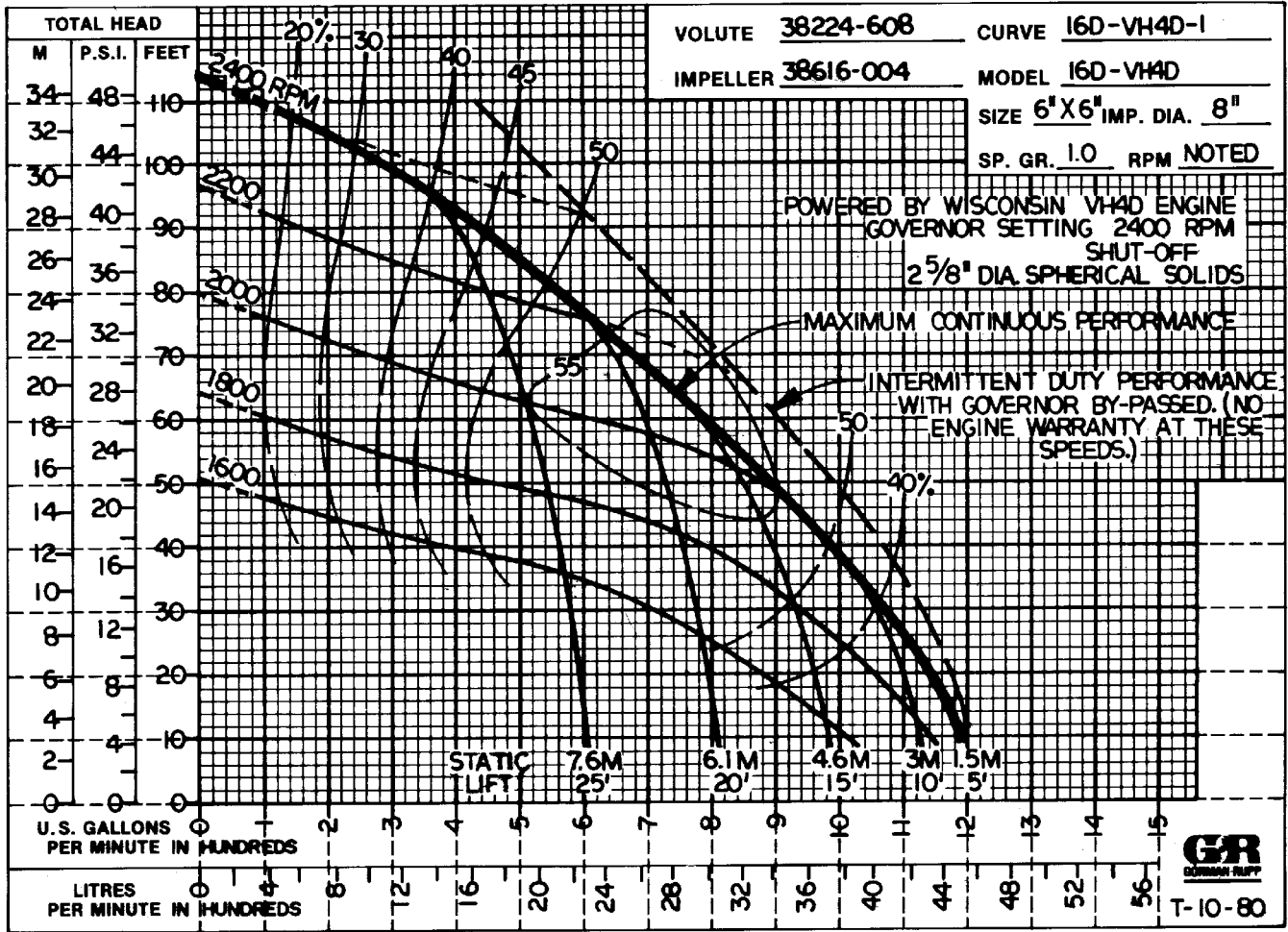
### PERFORMANCE CURVES

The performance curve on the following page is based on 70° F (21° C) clear water at sea level. Since pump installations are seldom identical, your performance may be different due to such factors as viscosity, specific gravity, elevation, temperature, and impeller trim.

If your pump serial number is followed by an "N", your pump is **NOT** a standard production model. Contact the Gorman-Rupp Company to verify performance or part numbers.



Pump speed and operating condition points must be within the continuous performance range shown on the curve(s).

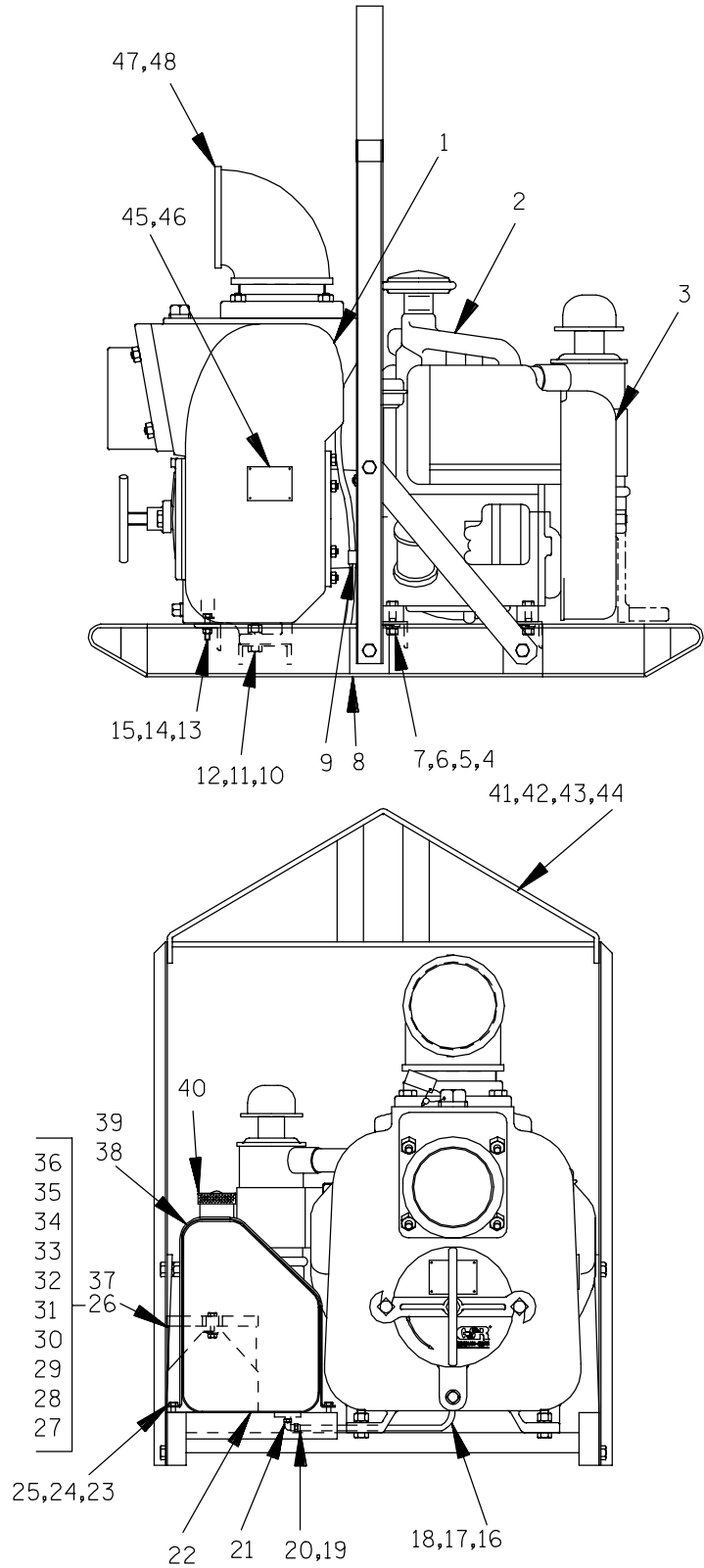


Performance Curve – Model 16D2-VH4D S/G

This Page Intentionally Blank

# 16D2--VH4D S/G 16D2--(VH4D S/G) PPO

S/N 770001 UP  
PUMP ISSUE 1



## THE GORMAN-RUPP COMPANY • MANSFIELD, OHIO

GORMAN-RUPP OF CANADA LIMITED • ST. THOMAS, ONTARIO, CANADA Printed in U.S.A.

©Copyright by the Gorman-Rupp Company

# 16D2 -- VH4D S/G 16D2 -- (VH4D S/G) PPO

ACDE

S/N 770001 UP

## PUMP ISSUE 1

If your pump serial number is followed by an "N", your pump is NOT a standard production model. Contact the Gorman-Rupp Company to verify part numbers.

ITEM NO.	PART NAME	PART NUMBER	MAT'L CODE	QTY	ITEM NO.	PART NAME	PART NUMBER	MAT'L CODE	QTY
1	PUMP END ASSY	16D	---	1	33	-HEX NUT	D06	15991	4
2	WISC VH4D ENGINE	202-M3	---	1	34	-LOCKWASHER	J06	15991	4
3	WARNING DECAL	38817-058	---	1	35	-FLAT WASHER	K06	15991	2
4	HEX HD CAPSCREW	B0809	15991	4	36 *	-BATTERY	SEE OPTIONS		
5	HEX NUT	D08	15991	4	37	#4 CABLE ASSY 34"	47311-410	---	1
6	FLAT WASHER	KE08	15991	4	38	FELT STRIP	9490D	18030	2
7	LOCKWASHER	J08	15991	4	39	GAS TANK STRAP	6353	15990	2
8	COMBINATION BASE	41566-080	---	1	40	FUEL TANK ASSY	S992	---	1
9	CLIP	6006	15990	1	41	HOISTING BAIL	44715-039	---	1
10	HEX HD CAPSCREW	B1007	15991	2	42	HEX HD CAPSCREW	B1006	15991	6
11	HEX NUT	D10	15991	2	43	HEX NUT	D10	15991	6
12	LOCKWASHER	J10	15991	2	44	LOCKWASHER	D10	15991	6
13	HEX HD CAPSCREW	B0607	15991	2	45	NAME PLATE	38818-021	13990	1
14	HEX NUT	D06	15991	2	46	DRIVE SCREW	BM#04-03	17000	4
15	LOCKWASHER	J06	15991	2	47	PIPE ELBOW	R96	11990	1
16	ELBOW	S1061	---	1	48	PIPE NIPPLE	T96	15070	1
17	HOSE END SWIVEL	S1670	---	1		NOT SHOWN:			
18	HOSE 1/4 X 39	31411-025	---	1		STRAINER	7823	24000	1
19	HOSE END SWIVEL	S1670	---	1		G-R DECAL	GR-03	---	1
20	TUBE FITTING	S634	---	1		INSTRUCTION LABEL	2613DK	---	1
21	PIPE PLUG	P04	15079	1		WARNING DECAL	2613FE	---	1
22	FELT STRIP	9490	18030	2		INSTRUCTION TAG	38817-043	---	1
23	HEX HD CAPSCREW	B0606	15991	2		SUCTION STICKER	6588AG	---	1
24	HEX NUT	D06	15991	2		PRIMING STICKER	6588AH	---	1
25	LOCKWASHER	J06	15991	2		GREASE CUP INSTRUCT	6588BD	---	1
26	BATTERY BOX ASSY	GRP40-02	---	1		DISCHARGE STICKER	6588BJ	---	1
27	-GROUND CABLE ASSY	5795AC	24040	1		WHEEL KIT	GRP30-231A	---	1
28	-BATTERY TAG	38818-338	---	1					
29	-BATTERY FRAME	8355B	24000	1		OPTIONAL:			
30	-BATTERY BOX	8356B	24000	1		* BATTERY	S1338	---	1
31	-HEX HD CAPSCREW	B0604	15991	2					
32	-HEX HD CAPSCREW	B0612	15991	2					

\* INDICATES PARTS RECOMMENDED FOR STOCK

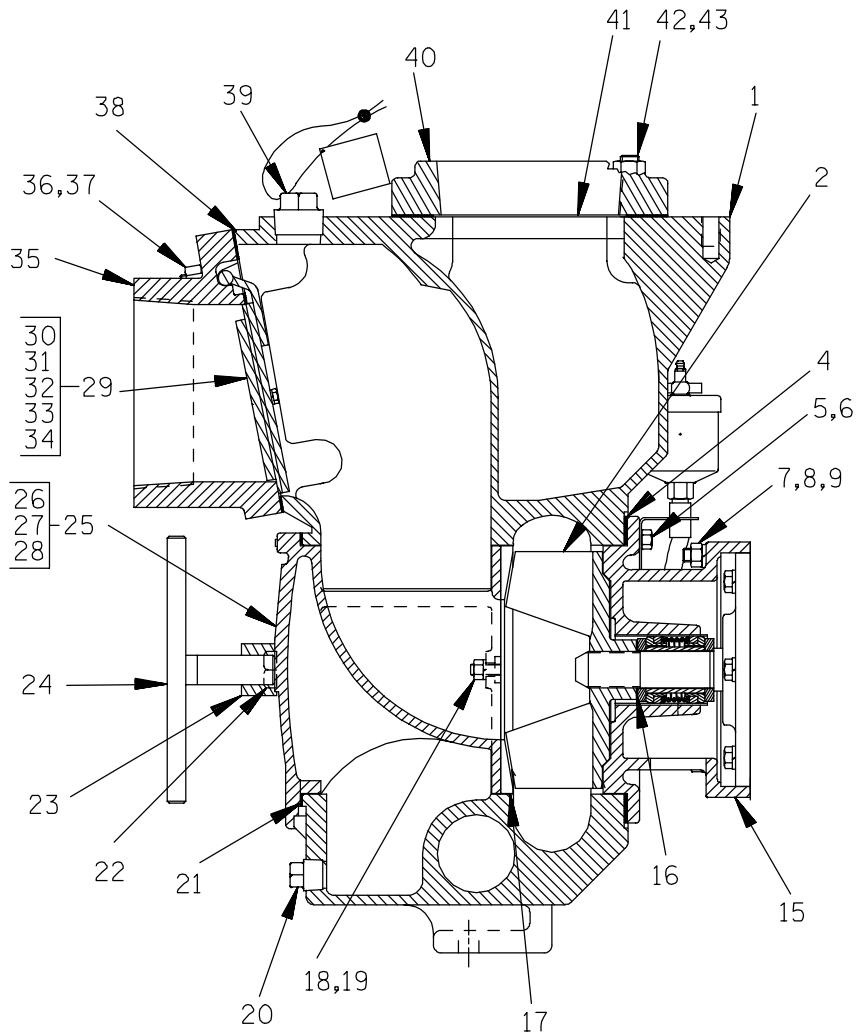
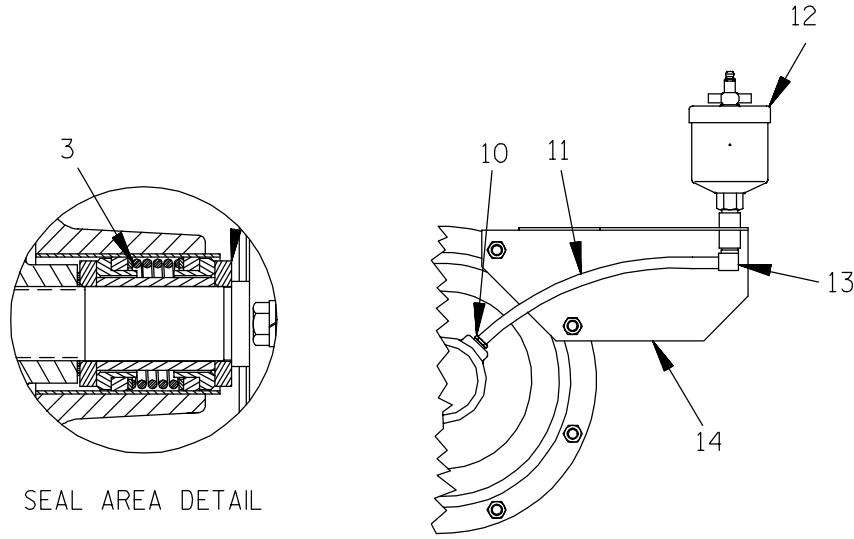
## THE GORMAN-RUPP COMPANY • MANSFIELD, OHIO

GORMAN-RUPP OF CANADA LIMITED • ST. THOMAS, ONTARIO, CANADA Printed in U.S.A.

©Copyright by the Gorman-Rupp Company

# 16D2--VH4D S/G 16D2--(VH4D S/G) PPO

S/N 770001 UP  
PUMP ISSUE 1



**THE GORMAN-RUPP COMPANY • MANSFIELD, OHIO**

GORMAN-RUPP OF CANADA LIMITED • ST. THOMAS, ONTARIO, CANADA Printed in U.S.A.

©Copyright by the Gorman-Rupp Company

# 16D2 -- VH4D S/G 16D2 -- (VH4D S/G) PPO

ACDE

S/N 770001 UP

## PUMP ISSUE 1

ITEM NO.	PART NAME	PART NUMBER	MAT'L CODE	QTY	ITEM NO.	PART NAME	PART NUMBER	MAT'L CODE	QTY
1	PUMP CASING	38224-608	10010	1	27	-DRIVE SCREW	BM#04-03	17000	4
2 *	IMPELLER	38616-004	10010	1	28	-BACK COVER PLT	NOT AVAILABLE		1
3 *	SEAL ASSY	GS1250	---	1	29 *	CHECK VALVE ASSY	46411-070	---	1
4 *	CASING GSKT SET	2474G	18000	1	30	-HEX HD CAPSCREW	B0403	17000	2
5	STUD	C0606	15991	8	31	-LOCKWASHER	J04	17000	2
6	HEX NUT	D06	15991	8	32	-SMALL WEIGHT	7263	15990	1
7	STUD	C0711	15991	4	33 *	-VALVE GASKET	38671-412	19140	1
8	HEX NUT	D07	15991	4	34	-LARGE WEIGHT ASSY	7262	24000	1
9	LOCKWASHER	J07	15991	4	35	SUCTION FLANGE	38645-802	10010	1
10	MALE CONNECTOR	26171-013	--	2	36	STUD	C1011	15991	4
11	TUBING	31411-242	19560	1	37	HEX NUT	D10	15991	4
12	GREASE CUP	S1509	---	1	38 *	SUCT FLANGE GSKT	38687-048	20000	1
13	MALE ELBOW	26171-038	---	1	39	FILL PLUG ASSY	48271-065	---	1
14	MOUNTING BRACKET	41881-358	24150	1	40	DISCHARGE FLANGE	38641-505	10010	1
15	INTERMEDIATE BRKT	42111-710	---	1	41 *	DISCH FLANGE GSKT	38687-010	20000	1
16 *	IMP ADJ SHIM SET	37J	17090	1	42	STUD	C1011	15991	4
17 *	WEAR PLATE ASSY	46451-324	---	1	43	HEX NUT	D10	15991	4
18	HEX NUT	D06	15991	2	5	PIPE ELBOW	R96	11990	1
19	LOCKWASHER	J06	15991	2	6	PIPE NIPPLE	T96	15070	1
20	CASING DRAIN PLUG	P12	15079	1					
21 *	BACK CVR GSKT	38682-215	20000	1		NOT SHOWN:			
22	MACHINE BOLT	A1009	15991	2		PIPE PLUG	P04	15079	1
23	CVR PLATE CLAMP	38111-309	11010	1		NAME PLATE	38818-021	13990	1
24	CLAMP BAR SCREW	2536	24000	1		DRIVE SCREW	BM#04-03	17000	4
25	COVER PLATE ASSY	42111-944	10010	1		STRAINER	7823	24000	1
26	-WARNING PLATE	2613EV	13990	1					

\* INDICATES PARTS RECOMMENDED FOR STOCK

## THE GORMAN-RUPP COMPANY • MANSFIELD, OHIO

GORMAN-RUPP OF CANADA LIMITED • ST. THOMAS, ONTARIO, CANADA Printed in U.S.A.

©Copyright by the Gorman-Rupp Company

## WARRANTY

Pumping units manufactured by The Gorman-Rupp Company, Mansfield, Ohio are guaranteed to be free from defects in material and workmanship for one year from date of shipment from factory in Mansfield, Ohio. The obligation under this Warranty, statutory or otherwise, is limited to replacement or repair at Mansfield, Ohio factory or at a point designated by Gorman-Rupp, of such part as shall appear to us upon inspection at such point, to have been defective in material or workmanship.

This Warranty does not obligate The Gorman-Rupp Company to bear the cost of labor or transportation charges in connection with replacement or repair of defective parts; nor shall it apply to a pump upon which repairs or alterations have been made unless authorized by Gorman-Rupp.

No warranty is made in respect to engines, motors, or trade accessories, such being subject to warranties of their respective manufacturers.

In Submersible Pumps, pump and motor are integral and Submersibles are warranted as a unit. Since motor is subject to an important degree upon quality and performance of electrical controls, unit warranty is valid only when controls have been specified and provided by Gorman-Rupp.

No express implied or statutory warranty, other than herein set forth is made or authorized to be made by Gorman-Rupp.

In no event shall The Gorman-Rupp Company be liable for consequential damages or contingent liabilities arising out of the failure of any Gorman-Rupp pump or parts thereof to operate properly.

THE GORMAN-RUPP COMPANY  
Mansfield, Ohio

NOTE: In Canada, all above references to "The Gorman-Rupp Company, Mansfield, Ohio" is understood to mean "Gorman-Rupp of Canada Limited, St. Thomas, Ontario."

**THE GORMAN-RUPP COMPANY • MANSFIELD, OHIO**

**GORMAN-RUPP OF CANADA LIMITED • ST. THOMAS, ONTARIO, CANADA** Printed in U.S.A.