



Heavy Duty & Medium Duty Compact Gear Pumps

1" Gear Pump:

- *Self-Priming*
- *Compact GMC-no drive coupling or guard*
- *Accurate alignment on close coupled C-Flange GMC pumps*
- *Smooth, Non-Pulsating Flow*
- *Cast Iron Construction with Viton® seal, carbon bushing and high strength gears*
- *Bronze Thrust Washer in Compact GMC*
- *Delivers up to 12 GPM*
- *GMS pump provides adjustable port positions*
- *Adjustable relief valve set at 75 PSI*



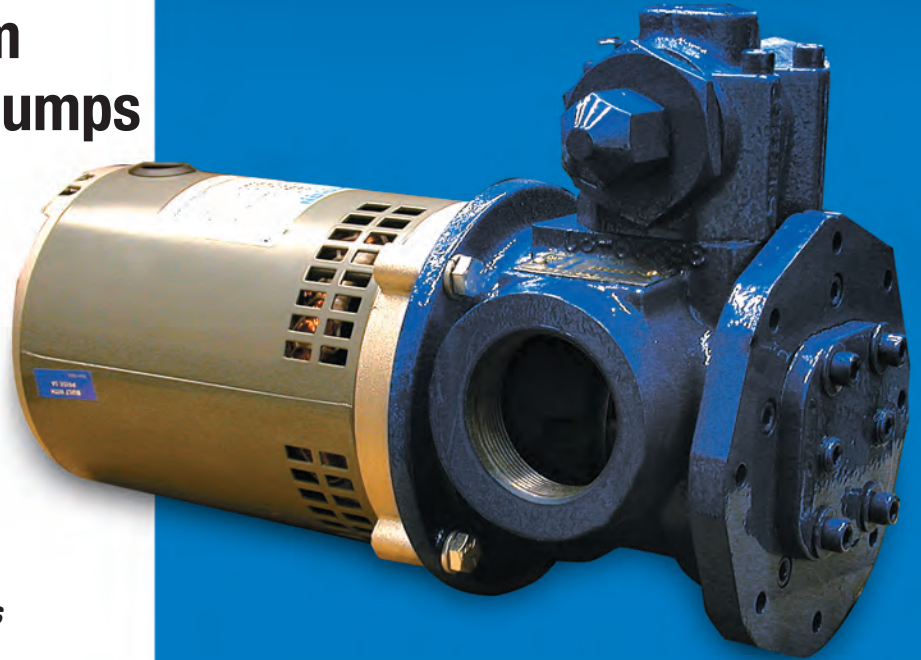
Model# GMS1DE3/40C

This internal gear pump is a high quality unit, capable of 15 ft. of lift and offers smooth, consistent flow. The GMC utilizes a type 2100 seal for sealing pressures up to 200 PSI and the GMS has a type 21 seal for sealing pressures up to 150 PSI. Units are available bare shaft, with 1.5 HP Totally Enclosed Fan Cooled (TEFC) or with Explosion Proof motors.

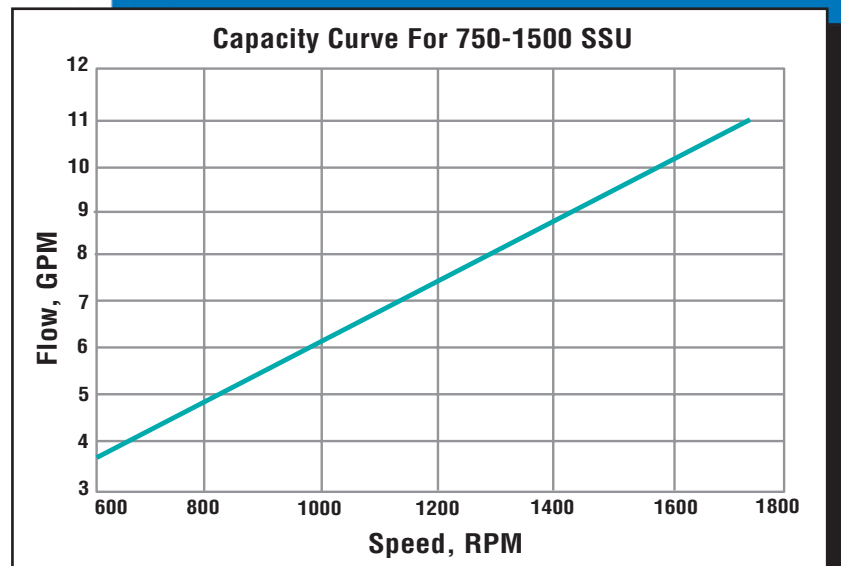
These cast iron gear pumps are reliable, cost effective and low maintenance. For use with non-flammable liquids compatible with pump component materials. They are readily available for "Off-the Shelf", 24 hour shipment.

Viton® is a registered trademark of E.I. DuPont

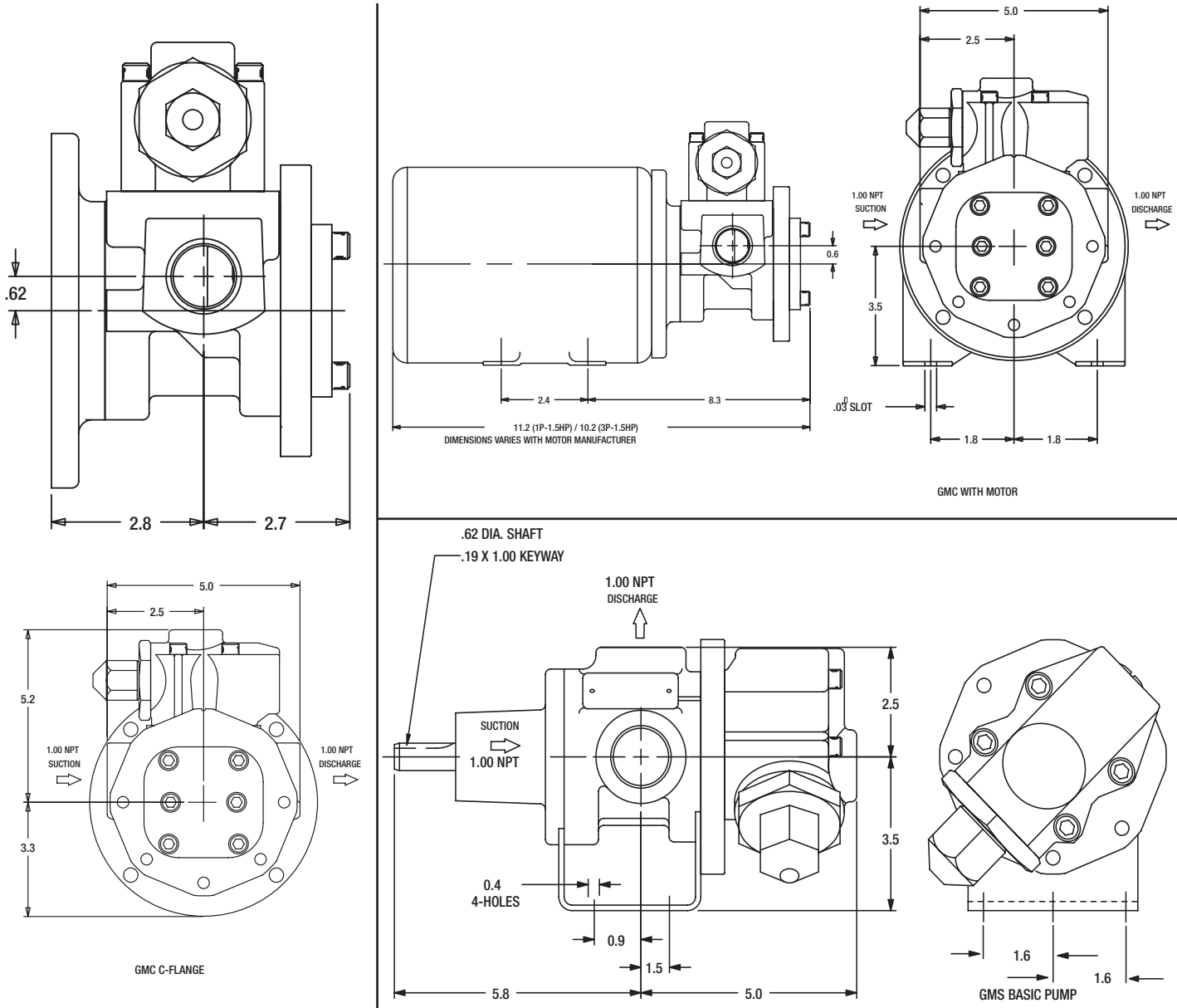
PREMIUM HEAVY DUTY



Model# GMC1DE3-E1.51P



Heavy Duty & Medium Duty Compact Gear Pump



Model No.	Description/ Type of Pump	Ship Wt (Lbs.)	Driver Type & HP	Port size Suc x dis (NPT)	Basic Construction	Seal Type & Elastomer/ Faces	VAC	FL Amps	Motor Enclosure
GMS1DE3/40C70A	Standard Pump w/car Flex cplg shaft	19	NA	1X1	Cast Iron	Viton®*/ Car, Cer	NA	N/A	NA
GMC1DE3/40C	Compact Pump w/car C-Flange	26	NA	1X1	Cast Iron	Viton®*/ Car, Cer	NA	NA	NA
GMC1DE3-E 1.5 1P	Compact Pump w/car C-Flange	59	1P TEFC 1-1/2 HP	1X1	Cast Iron	Viton®*/ Car, Cer	115/230	18/9	56C
GMC1DE3-E 1.5 3P	Compact Pump w/car C-Flange	59	3P TEFC 1-1/2 HP	1X1	Cast Iron	Viton®*/ Car, Cer	230/460	5/2.5	56C
GMC1DE3-X 1.5 1P	Compact Pump w/car C-Flange	59	1P X-Proof 1-1/2 HP	1X1	Cast Iron	Viton®*/ Car, Cer	115/230	19/9.5	184C
GMC1DE3-X 1.5 3P	Compact Pump w/car C-Flange	59	3P X-Proof 1-1/2 HP	1X1	Cast Iron	Viton®*/ Car, Cer	230/460	5/2.5	56C

*Viton® is a registered trademark of DuPont

Standard Features

- Cast Iron construction with Viton® seal, carbon bushing and high strength iron gears
- Maximum Viscosity of 1500 SSU
- GMC Maximum Pressure of 200 PSI.
- GMS Maximum Pressure of 150 PSI.
- Maximum Temperature 300° F
- 11 GPM at 1750 RPM
- 1" NPT connections
- Adjustable relief valve set at 75 PSI.

WARNING: Do not use in explosive atmosphere or for pumping volatile flammable liquids.

See price book page 44

The Gorman-Rupp Company reserves the right to discontinue any model or change specifications at any time without incurring any obligation.



CP115-116/1208